

Pressure Balance Valve with Diverter Trim - Round

FEATURES

- Clean & simple design trim made of durable brass
- Lever handles
- ADA Compliant
- For use with Pressure Balance Valve with Diverter model TSPVM

COLORS/FINISHES

- #CP Polished Chrome
- #BN Brushed Nickel

Made to Order

- #PN Polished Nickel
- #PFG Polished French Gold
- #PBR Polished Bronze
- #MBL Matte Black



CODES/STANDARDS

- Meets or exceeds ASME A112.18.1/CSA B125.1
- Certifications: IAPMO(cUPC), State of Massachusetts, City of Los Angeles, and others
- Code compliance: UPC, IPC, NSPC, NPC Canada, and others
- ADA compliant



PRODUCT SPECIFICATION

Pressure balance valve with diverter trim shall have two lever handles. Product shall be TOTO Model TBV01802U and required valve shall be TSPVM (sold separately).

TBV01802U

Pressure Balance Valve with Diverter Trim - Round

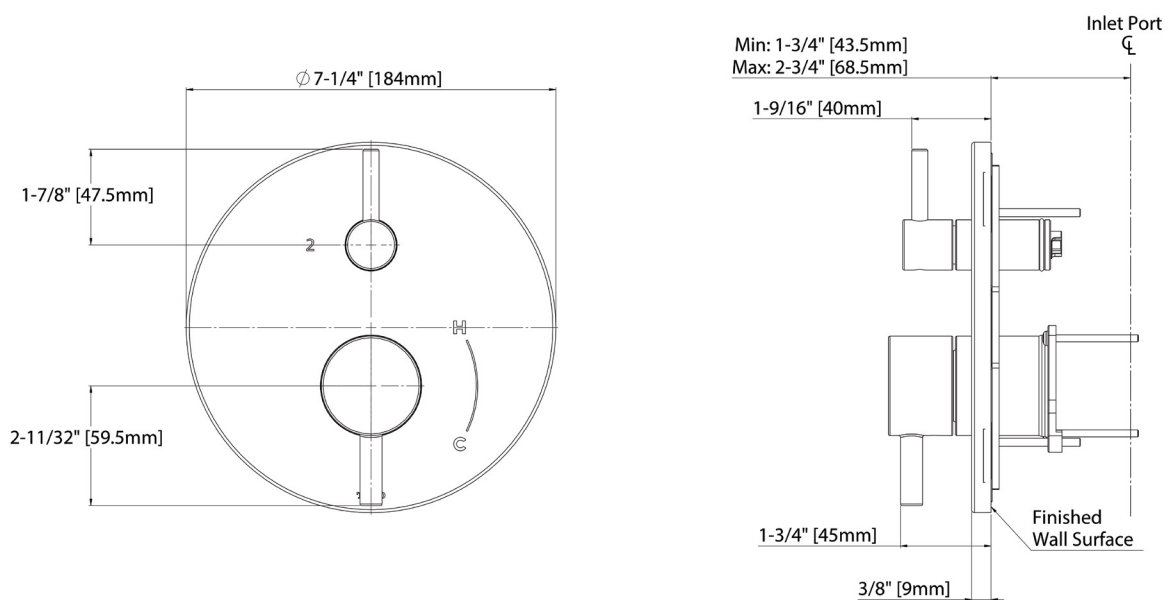
SPECIFICATIONS

Material	Brass & Zinc
Warranty	Lifetime Limited Warranty (Residential Use) One Year (Commercial Use)
Shipping Weight	2.6 lbs
Shipping Dimensions	8.7" L x 8.7" W x 3.4" H

INSTALLATION NOTES

VALVE REQUIRED: Pressure balance valve with diverter model TSPVM (sold separately).

DIMENSIONS



TOTO

These dimensions and specifications are subject to change without notice