

FEATURES

EP Bowl

- DYNAMAX TORNADO FLUSH® system, high efficiency (1.28 GPF/0.9 GPF)
- CEFIONTECT® ceramic glaze - prevents debris, mold from sticking to ceramic surfaces
- Universal Height
- Elongated shape front bowl

WASHLET+ C2

- Elongated Contemporary WASHLET
- Mounting hardware included
- Quick release hinges for easier cleaning

DuoFit In-Wall Tank

- Dual flushing system, high-efficiency (1.28 GPF/4.8 LPF & 0.9 GPF/3.4 LPF) Avg. flush 1.03 GPF
- Adjustable 15"-19" mounting height
- Saves up to 9" of floor space compared to standard floor-mounted toilet
- Supports up to 880lbs
- Commercial 2" x 6" or optional residential installation with 2" x 4" wall studs with waste outlet kit
- Copper supply line

Push Plate

- YT930#MS
Matte Silver Basic Round Push Plate

KIT COMPONENTS

- CT428CFGT40#01
EP Wall-Hung Toilet
- WT173M
In-Wall Tank System (Copper Pipe)
- SW3074T40#01
C2 WASHLET
Elongated WASHLET
- THU805
WASHLET connection kit
- YT930#MS
Matte Silver Basic Round Push Plate

Available Options

- YT920#WH - White Matte Basic Square Push Plate
- YT920#MS - Matte Silver Basic Square Push Plate
- YT930#WH - White Matte Basic Round Push Plate
- YT970#SS - Stainless Steel Wall Round Push Plate
- YT980#SS - Stainless Steel Wall Round Push Plate



**DYNAMAX
TORNADO FLUSH**



SD Skirted Design



CEFIONTECT



EWATER+

COLORS/FINISHES

- Standard
#01 Cotton

CODES/STANDARDS

- Meets or exceeds:
 - Bowl: ASME A112.19.2/CSA B45.1, ASME A112.19.14
 - Carrier System: ASME A112.6.2
 - Tank Trim: IAPMO PS50, CSA B125.3, ASSE1002
- Certifications: IAPMO (cUPC), EPA WaterSense State of Massachusetts, City of Los Angeles and others
- Legislative compliance: California AB715, California Green Building Code, City of Los Angeles Water Efficiency Ordinance
- Code Compliance: UPC, IPC, NSPC, NPC Canada, and others
- Complies with CA Prop 65 warning requirements



CWT4283074CMFG

EP WASHLET®+ C2 Wall-Hung Toilet, 1.28 GPF & 0.9 GPF

PRODUCT SPECIFICATIONS

	CT428CFG40	SW3074T40	WT173M
Water Use	1.28 GPF & 0.9 GPF (4.8 LPF & 3.4 LPF)		1.28 GPF & 0.9 GPF (4.8 LPF & 3.4 LPF)
Flush System	DYNAMAX TORNADO FLUSH®		Dual flushing
Min. Water Pressure	8 psi (static)		8 psi (static)
Water Surface	5-1/2" X 4-1/8"		
Trap Diameter	2-1/8"		
Installation Height	15" to 19"		15" to 19"
Trap Seal	2-1/8"		
Warranty	One Year Limited Warranty	One Year Limited Warranty	One Year Limited Warranty
Material	Vitreous China	Plastic	Various
Shipping Weight	68 lbs	17 lbs	38 lbs
Shipping Dimensions	22" L x 14.6" W x 16.5 H	24-3/8" L x 20-3/4" W x 9-1/8" H	48" L x 26-1/2" W x 6" H

CT428CFG40

This universal height, high efficiency DYNAMAX TORNADO flushing system toilet shall be 1.28 GPF & 0.9 GPF. Toilet shall have CEFIONTECT® ceramic glaze. Toilet shall be mounted to in-wall tank system, D-shape front bowl and wall-mounted push-button type trip lever. Toilet shall be TOTO Model CT428CFG40.

SW3074T40

Elongated WASHLET

YT930#MS

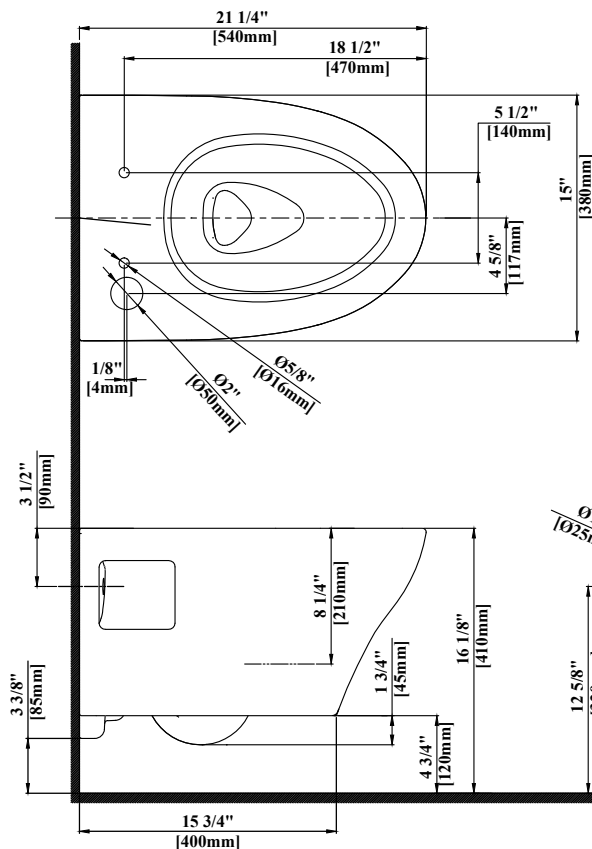
Dual Button Push Plate
#MS Matte Silver

WT173M

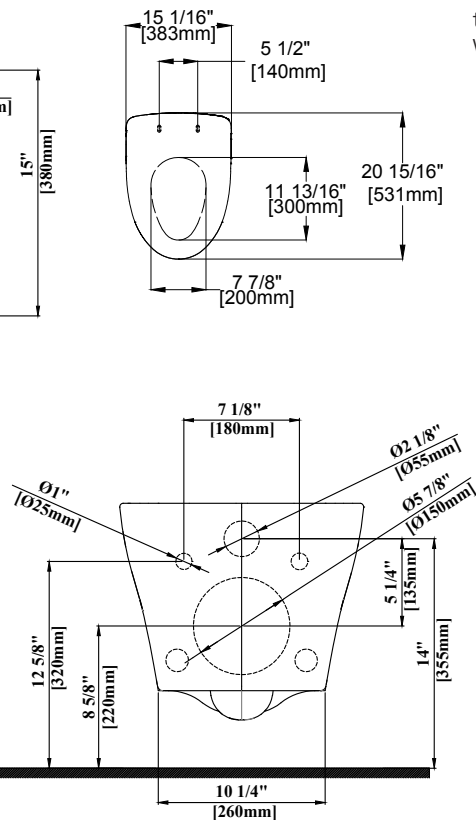
This universal height, high-efficiency, dual flushing, in-wall tank system toilet shall be 1.28 GPF & 0.9 GPF. Requires TOTO toilet model CT428CFG. In-Wall tank system shall be TOTO Model WT173M.

PRODUCT DIMENSIONS

CT428CFG40



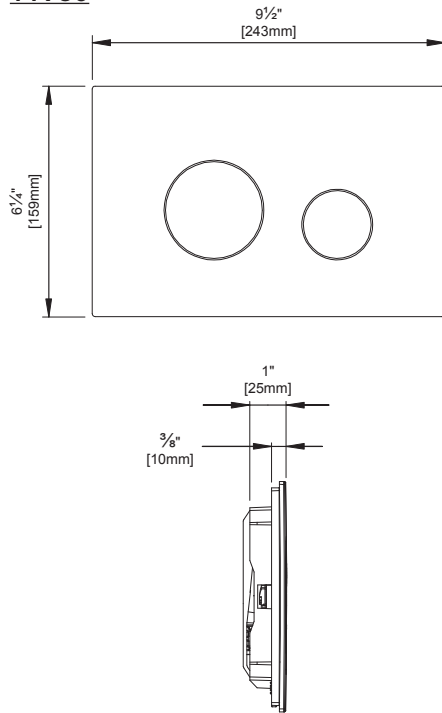
SW3074T40



CWT4283074CMFG

EP WASHLET®+ C2 Wall-Hung Toilet, 1.28 GPF & 0.9 GPF

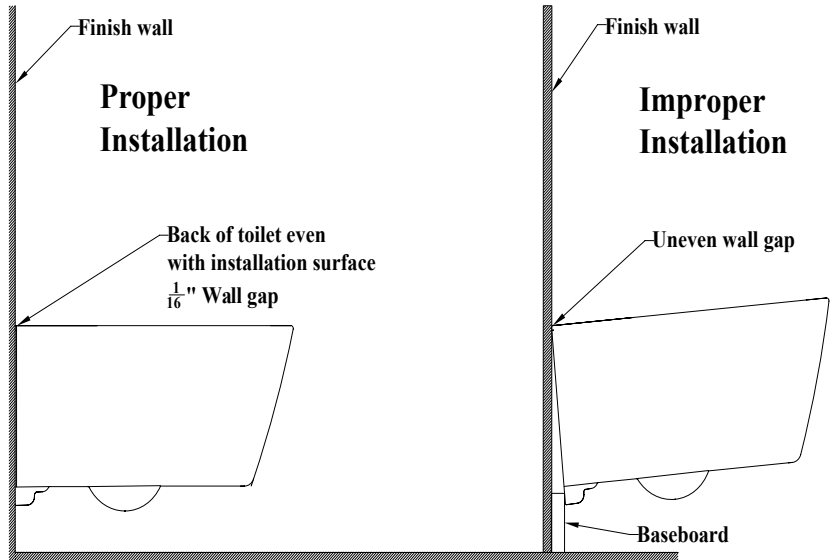
YT930



INSTALLATION NOTES

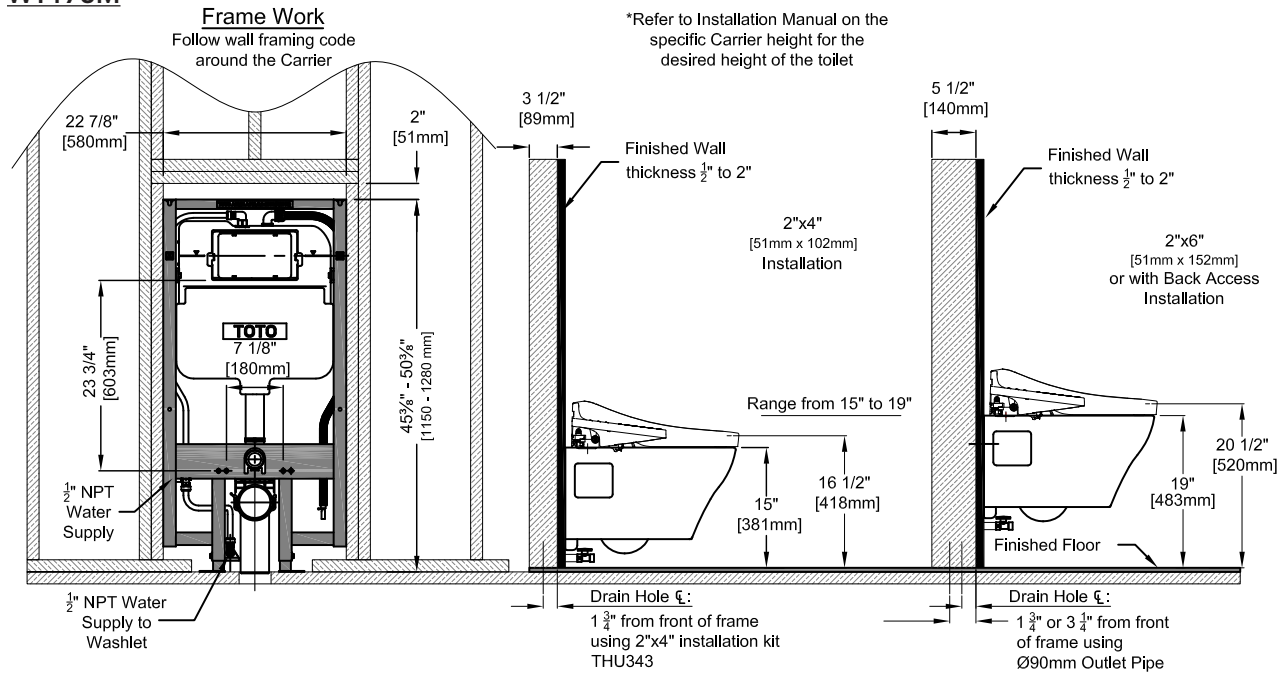
- Adequate structural bracing is required
- Framing support should be capable of supporting 880 lbs load without damage to the wall. See installation manual for more details.

WT173M



PRODUCT DIMENSIONS

WT173M



TOTO

These dimensions and specifications are subject to change without notice