

Kiwami® Oval Vessel Lavatory

FEATURES

- 15-3/4"W x 10-1/4"D x 3-1/8"H
- CEFIONTECT® ceramic glaze minimizes debris and mold from sticking to surface
- Crafted with LINEARCERAM® – a durable material for an ultra sleek and modern design
- Drain and decorative drain cover included
- Not equipped with overflow - requires vessel lavatory drain
- Complete with installation template
- ADA compliant



MODELS

- LT473G#01
With CEFIONTECT

COLORS/FINISHES

- #01 Cotton

PRODUCT SPECIFICATION

This vessel lavatory shall be made with LINEARCERAM. Lavatory shall be ADA compliant. Lavatory shall be TOTO Model LT473_____.

CODES/STANDARDS

- Meets ADA guidelines and ANSI A117.1 requirements when top of lavatory rim is installed 864mm (34") from finished floor and lavatory is installed 132mm (5-3/16") minimum from front edge
- Meets and exceeds ASME A112.19.2/CSA B45.1
- Certifications: IAPMO(cUPC), State of Massachusetts, City of Los Angeles, and others
- Code compliance: UPC, IPC, NSPC, NPC Canada, and others



LT473G

Kiwami® Oval Vessel Lavatory

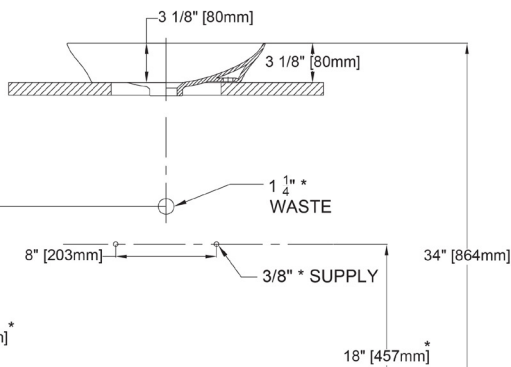
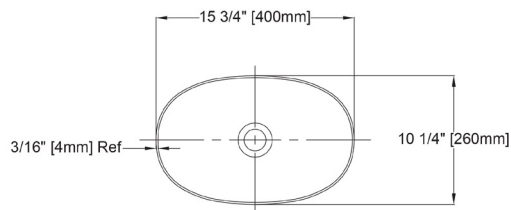
SPECIFICATIONS

Waste	1-1/4"
Size	15-3/4"W x 10-1/4"D x 3-1/8"H
Basin	15-7/16"W x 9-15/16"D
Basin Depth	3-1/8"
Warranty	One Year Limited Warranty
Material	LINEARCERAM®
Shipping Weight	10 lbs
Shipping Dimensions	7-1/4" x 10-3/4" x 16-1/4"

INSTALLATION NOTES

Use with included Vessel Lavatory Drain. The recommended faucet height from deck to spout is 8-5/16" (211mm) and below. Aim water supply away from the drain cover.

DIMENSIONS



* Suggested Dimensions

ADA COMPLIANCE

