

## Nexus® 1G Two-Piece Toilet, 1.0 GPF

### FEATURES

- TORNADO FLUSH® system, ultra high-efficiency (1.0 GPF/3.8 LPF)
- CEFIONTECT® ceramic glaze prevents debris and mold from sticking to ceramic surfaces
- Specially designed to accommodate a WASHLET®+
- Completely skirted design for a sleek and understated look that's easier to clean
- Universal Height
- Elongated front bowl and seat
- 12" Rough-in
- Chrome plated trip lever

### MODELS

- **MS442124CUFG (#01, #03, #11, #12)**  
With CEFIONTECT ceramic glaze & includes SS124 SoftClose® seat
- **MS442124CUF (#51)**  
Same as MS442124CUFG without CEFIONTECT ceramic glaze

### COMPONENTS

- **CT442CUFGT40**  
Elongated bowl with CEFIONTECT
- **CT442CUFT40**  
Elongated bowl without CEFIONTECT
- **ST442UA**  
Tank and cover only
- **SS124**  
SoftClose seat

### OPTIONAL COMPONENTS

- **TSU10W.14**  
14" Unifit Rough-in
- **THU485(#01, #BN, #PN, #MBL)**  
Trip Lever (Cotton, Brushed Nickel, Polished Nickel, Matte Black)

### COLORS/FINISHES

- |                      |                      |
|----------------------|----------------------|
| • #01 Cotton         | <b>Made to Order</b> |
| • #12 Sedona Beige   |                      |
| • #03 Bone           |                      |
| • #11 Colonial White |                      |
|                      | • #51 Ebony          |



- 1G One Gallon Per Flush
- CEFIONTECT
- TORNADO FLUSH
- Universal Height
- SD Skirted Design

### PRODUCT SPECIFICATION

The two-piece ultra high-efficiency TORNADO FLUSH system toilet shall be 1.0 GPF/3.8 LPF. Toilet shall be 12" Unifit rough-in. Toilet shall have optional CEFIONTECT ceramic glaze and be at Universal Height. Toilet shall have elongated front bowl with SoftClose seat and Polished Chrome trip lever. Toilet shall be TOTO Model MS442124CUF\_\_\_\_\_.

### CODES/STANDARDS

- Meets or exceeds ASME A112.19.2/CSA B45.1
- Certifications: IAPMO(cUPC), EPA Watersense, State of Massachusetts, City of Los Angeles, and others
- Code compliance: UPC, IPC, NSPC, NPC Canada, and others
- Legislative Compliance: California AB715, California Green Building Code, City of Los Angeles Water Efficiency Ordinance
- ADA compliant (when installed with trip lever located on the approach side)
- Complies with CA Prop 65 warning requirements



# MS442124CUF(G)

## Nexus® 1G Two-Piece Toilet, 1.0 GPF

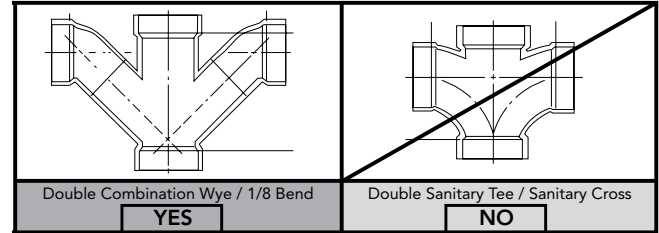
### SPECIFICATIONS

<b>Water Use</b>	1.0 GPF (3.8 LPF)
<b>Flush System</b>	TORNADO FLUSH®
<b>Min. Water Pressure</b>	8 psi (Static)
<b>Water Surface</b>	6-5/8" x 9-1/8"
<b>Trap Diameter</b>	2-1/8"
<b>Rough-in</b>	12" (14" Optional)
<b>Trap Seal</b>	2-1/4"
<b>Warranty</b>	One Year Limited Warranty
<b>Material</b>	Vitreous China
<b>Shipping Weight</b>	CT442CUF(G)T40 87 lbs
	ST442UA 25 lbs
<b>Shipping Dimensions</b>	CT442CUF(G)T40 29-3/4"L x 18-1/4"W x 18-3/4"H
	ST442UA 17-1/4"L x 7-7/8"W x 17-1/2"H

### INSTALLATION NOTES

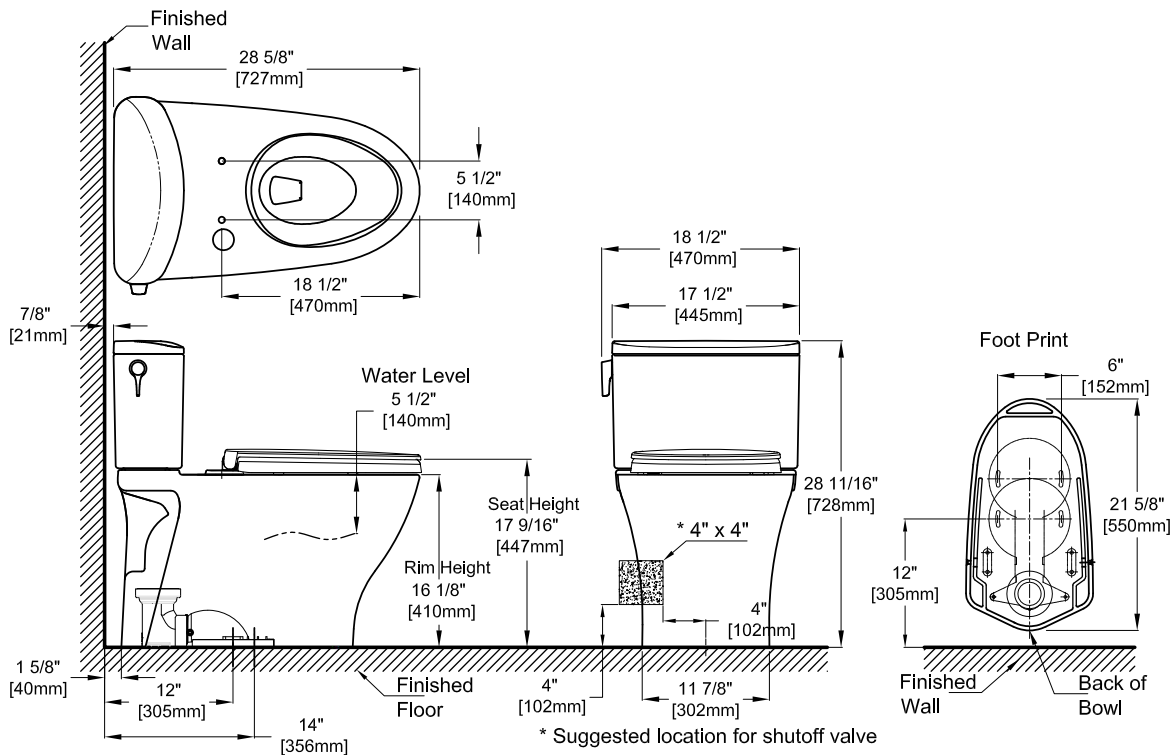
#### Back-to-Back Toilet Installations:

TOTO recommends the use of a nationally listed, double sanitary tee-wye only, in vertical waste stacks, in accordance with the stipulations noted in the majority of nationally recognized plumbing codes.



To maintain adequate wall gap between the back of the tank and wall, mount the floor flange at a nominal 12" rough-in distance.

### DIMENSIONS



**TOTO®**

These dimensions and specifications are subject to change without notice

Ph: (888) 295-8134 | Fax: (800) 699-4889 | www.totousa.com | © TOTO USA

# SS-01460 v.02