

FEATURES

- WaterSense® certified high-efficiency 1.75 gpm (6.6 lpm)
- Easy to clean rubber nozzles reduce scale buildup
- G 1/2 thread connection compatible with 1/2 NPT
- Meets 2018 California water efficiency appliance CEC regulations
- Shower arm sold separately

COMPATIBLE COMPONENT *(Sold Separately)*

TBW01012UV1: Modern Shower Arm

COLORS/FINISHES

#CP Polished Chrome

CODES/STANDARDS

- Meets or exceeds ASME A112.18.1/CSA B125.1
- Certifications: IAPMO(cUPC), EPA WaterSense, State of Massachusetts and others
- Code Compliance: UPC, IPC, NSPC, NPC Canada, DoE, CEC and others
- Complies with CA Prop 65 warning requirements



Please note the following components are sold separately



TBW01012UV1: Modern Shower Arm

PRODUCT SPECIFICATION

Product shall be TOTO Model TBW01012U4#_____. Product shall have a maximum flow rate of 1.75 gpm (6.6 lpm). Product shall have a single spray. Product shall have rubber nozzles to prevent limescale build-up. Product shall have G 1/2 thread connection compatible with 1/2 NPT. Product shall meet 2018 California water efficiency appliance CEC regulations. Product shower arm sold separately.

TBW01012U4

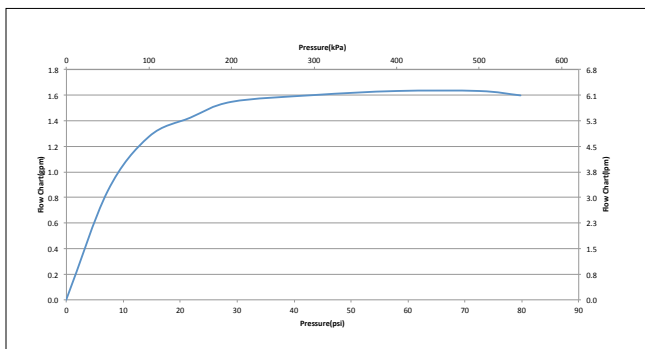
Modern Showerhead 1 Mode

SPECIFICATIONS

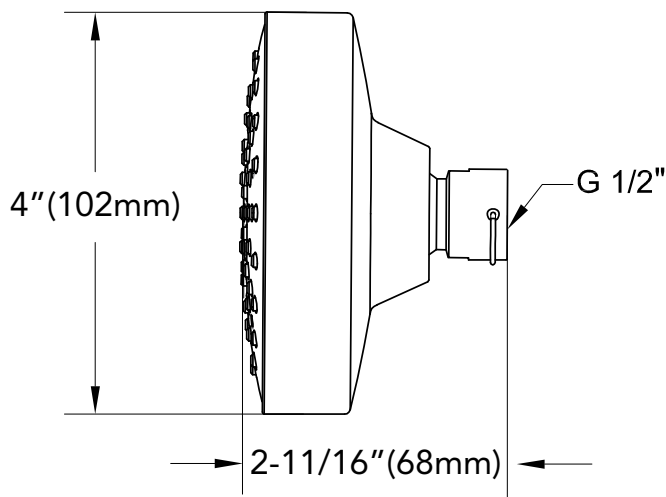
| | |
|----------------------------|---|
| Material | ABS & POM |
| Maximum Flow Rate | 1.75 gpm (6.6 lpm) |
| Warranty | Limited Lifetime for Residential Use One Year for Commercial Use |
| Shipping Weight | 1.0 lb |
| Shipping Dimensions | 7-7/8" L x 5-3/4" W x 5" H |

INSTALLATION NOTES

Compatible with TBW01012UV1 Modern Shower Arm



DIMENSIONS



TOTO