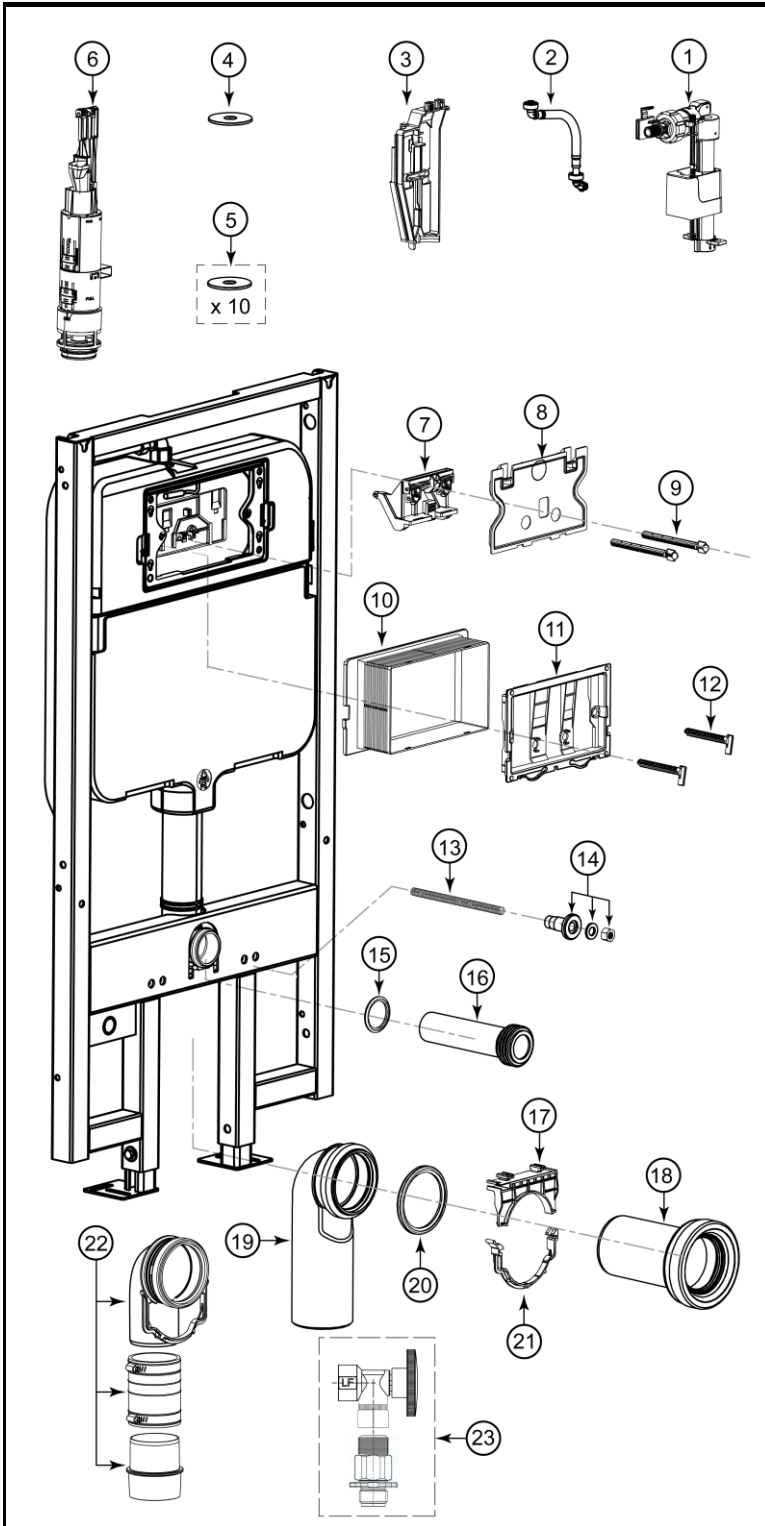


DuoFit In Wall Tank System
For 2x6 & 2x4 Wall Stud Installation
1.6 Gpf/6.0 Lpf & 0.9 Gpf/3.4Lpf
Adjustable Height 15" - 19"



Item	Part	Description
1	TSU47A	Fill Valve
2	THU479-A	Flexible Hose
3	THU549	Hold-Down Bracket
4	THU482	Seal Gasket (1 piece)
5	THU482-10	Seal Gasket (10 pieces)
6	THU762-A	Drain Valve
7	THU480-A	Actuator
8	THU770-A	Splash Guard
9	THU608	Push Rod (2 pieces)
10	THU509-A	Push Plate Rough in
11	THU656-A	Panel Receiver for Push Plate
12	THU607	Locking Tap (2 pieces)
13	THU658-A	Threaded Rod (2 pieces)
14	THU649-A	Toilet Mounting set (2 set)
15	THU606	Gasket for Elbow Inlet pipe (5 pieces)
16	THU489-A	Toilet Inlet Pipe
17	THU548	Upper Bracket
18	THU484-A	Toilet Flange Pipe
19	THU490-A	Elbow Outlet Pipe
20	THU335	Outlet Pipe Elbow for 2x6 wall - Cast Iron
21	THU561	Gasket for Elbow Outlet Pipe (5 pieces)
22	THU560	Lower Bracket
23	THU343	2x4 Outlet Drain Kit
	THU807	Washlet Connection Kit

Note:

Product Number Explanations

(WT) In Wall Tank
 (171) Model Number
 (M) Dual Flush

Actual Product may vary slightly from illustration.