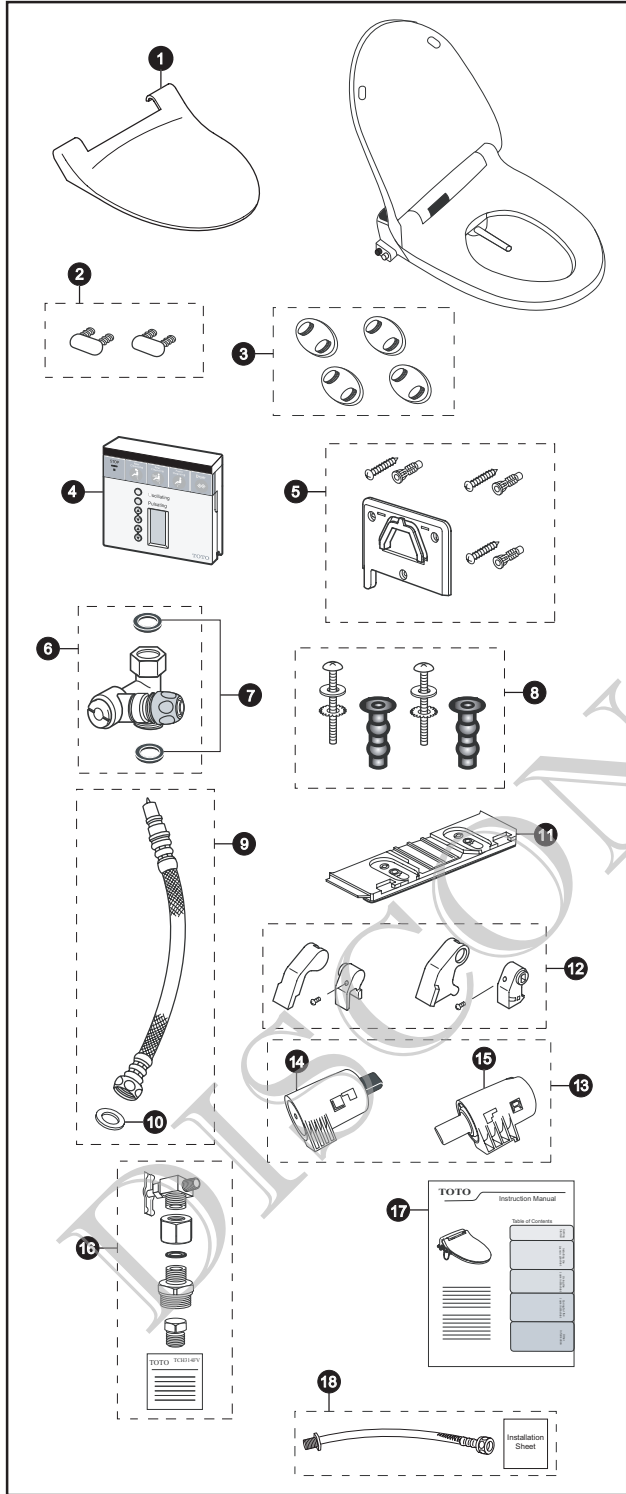


SW834R (TCF4021UR)

SW834R
TCF4021UR

Washlet® S300™ Elongated Seat



Item	Part	Description
1	THU610#01 THU610#11 THU610#12	Lid Assembly - Elongated - Cotton White Lid Assembly - Elongated Lid Assembly - Elongated - Sedona Beige
2	THU611	Lid Bumpers (2 pieces)
3	THU614	Seat Bumpers (4 pieces)
4	THU663	Remote Control - Oscillating, Pulsating, & Wand
5	THU634	Remote Control Hanger Set
6	THU661	Junction Valve
7	9BU9155	Rubber Washers - Junction Valve (2 pieces)
8	THU599	Mounting Hardware
9	THU660	Connection Hose
10	9BU9152	Fiber Washer (1 piece)
11	THU635	Mounting Plate
12	THU615	Hinge Supports - Left & Right
13	THU616	Hinge Units - Left & Right
14	THU638	Hinge Unit Left - Elongated Seat
15	THU637	Hinge Unit Right - Elongated Seat
16	TCH314FV	Flushometer Adapter Kit
17	THU664	Owner's Manual
18	THU9090	Hose Extension Kit (for Aquia™ CST414M and Pacifica™ CST804S)

Notes

- S300™ was previously known as the Jasmin™.
- Flushometer Adapter Kit TCH314FV requires Connection Hose THU588. A junction valve will not be used with this kit.
- Junction Valve THU661 can be converted back to THU587 (previous page) if needed by removing the gray quick connector.
- THU664 is also available in a PDF format. For inquires call Tech Support.
- Fiber Washer 9BU9152 replaces original rubber washer design.
- TOTO Sales can order 0GU505 template on TOTO Partners.com. To use template, the existing toilet seat must be removed from the toilet bowl.

Product Number Explanations

Washlet®
(SW) Washlet®
(834) Model
(R) Revision