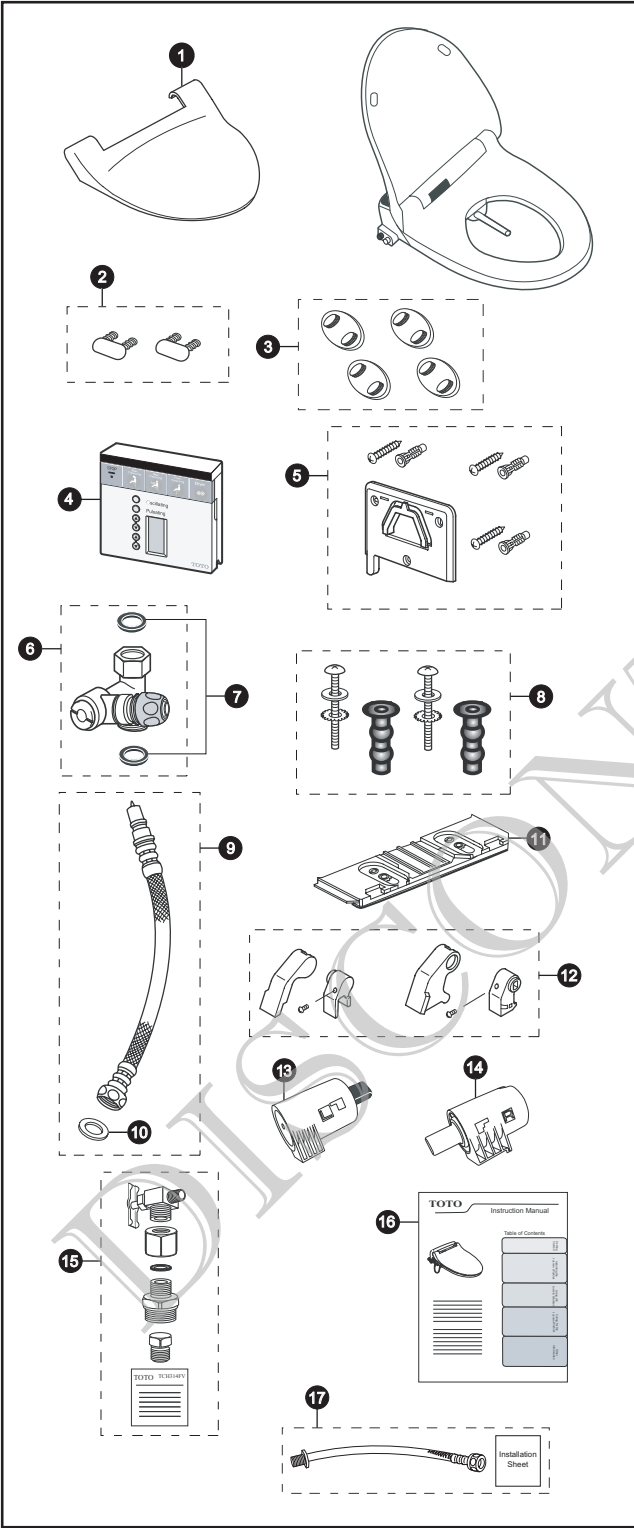


# SW833R (TCF4020UR)

SW833R  
TCF4020UR

## Washlet® S300™ Round Seat



Item	Part	Description
1	THU662#01 THU662#11 THU662#12	Lid Assembly - Round - Cotton White Lid Assembly - Round Lid Assembly - Round - Sedona Beige
2	THU611	Lid Bumpers (2 pieces)
3	THU614	Seat Bumpers (4 pieces)
4	THU663	Remote Control - Oscillating, Pulsating, & Wand
5	THU634	Remote Control Hanger Set
6	THU661	Junction Valve
7	9BU9155	Rubber Washers - Junction Valve (2 pieces)
8	THU599	Mounting Hardware
9	THU660	Connection Hose
10	9BU9152	Fiber Washer (1 piece)
11	THU635	Mounting Plate
12	THU615	Hinge Supports - Left & Right
13	THU667	Hinge Unit Left - Round Seat
14	THU665	Hinge Unit Right - Round Seat
15	TCH314FV	Flushometer Adapter Kit
16	THU664	Owner's Manual
17	THU9090	Hose Extension Kit (for Aquia™ CST414M and Pacifica™ CST804S)

**Notes**

S300™ was previously known as the Jasmin™.  
 Flushometer Adapter Kit TCH314FV requires Connection Hose THU588 (see next page). A junction valve will not be used with this kit.  
 THU664 is also available in a PDF format. For inquires call Tech Support.  
 Fiber Washer 9BU9152 replaces original rubber washer design.

### Product Number Explanations

**Washlet®**  
 (SW) Washlet®  
 (833) Model  
 (R) Revision