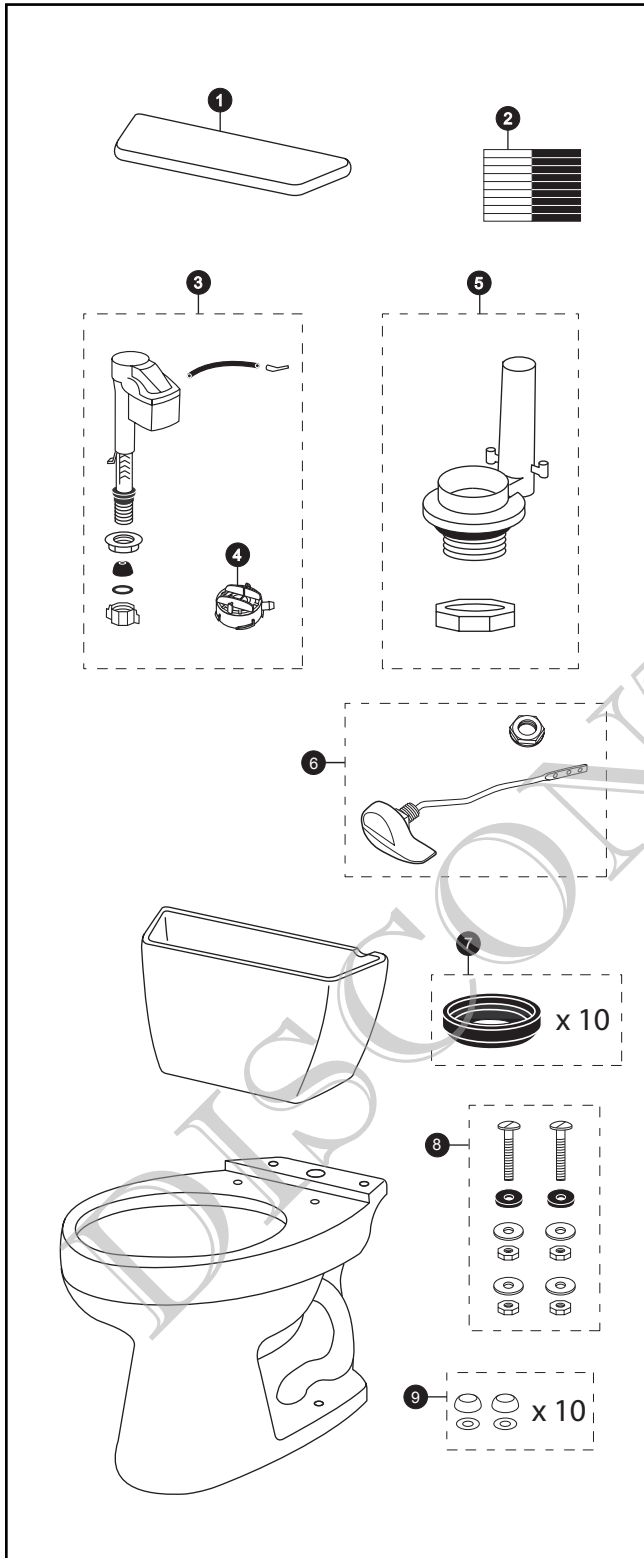


MW744564SLA

ST743SA
C744SL
SW564

Drake® & S400 Washlet® 1.6 Gpf Toilet, Elongated, G-Max®, ADA, 12" Rough-In



Item	Part	Description
1	TCU706CR#01	Tank Lid w/ Velcro Tape
2	THU107	Velcro Tape
3	TSU08A.6	Fill Valve
4	THU123	Diaphragm Cap
5	THU129Z	Flush Valve
6	THU068#01	Trip Lever
7	THU131	Tank to Bowl Gaskets (for 10 toilets)
8	TSU01D	Tank Mounting Kit
9	THU098#01	Bolt Cap Sets (for 10 toilets) for #01 & #11)
10	THU692	S400 Autoflush Lever Assembly
11	THU693	S400 Autoflush G-Max Flapper Assembly
12	THU691	Wire Hooks
13	THU9184	S400 Autoflush Lever Nut Assembly
14	THU9183	S400 Autoflush Stopper Assembly
15	THU9152#01	Lid Assembly (Elongated)
16	THU9154	Cushion Assembly
17	THU614	Cushion
18	THU661	Junction Metal Fitting
19	THU660	Flexible Hose
20	THU9159	Louver Assembly
21	THU9178	Base Plate Assembly
22	THU9172	Catalyst Assembly

Product Number Explanations

Toilet & Seat Combo

(MW) Toilet & Washlet® Combo
(744) Toilet Model
(563) Washlet® Model
(S) G-Max®
(L) ADA Compliant
(A) Auto flush

Tank

(ST) Tank
(743) Model
(S) G-Max®
(A) Auto flush

Bowl

(C) Bowl
(744) Model
(S) G-Max®
(L) ADA Compliant

Colors

(#01) Cotton

MW744564SLA

ST744SA
C744SL
SW564

**Drake® & S400 Washlet®
1.6 Gpf Toilet, Elongated,
G-Max®, ADA, 12" Rough-In**

