

## Kiwami® Asymmetrical Vessel Lavatory

### FEATURES

- 18-1/8"W x 16-1/2"D x 5-1/8"H
- CEFIONTECT® ceramic glaze minimizes debris and mold from sticking to surface (#01 only)
- CLEAN MATTE finish achieves a smoother surface that makes dirt removal easier while improving design (#CMW only)
- Crafted with LINEARCERAM® – a durable material for an ultra sleek and modern design
- Drain and decorative drain cover (sold separately)
- Complete with installation template
- ADA compliant
- Front overflow



CEFIONTECT



LINEARCERAM

### MODELS

- LT477G#01  
With CEFIONTECT
- LT477MT#CMW  
With CLEAN MATTE WHITE finish (Available Q1 2020)

### COLORS/FINISHES

- #01 Cotton
- #CMW CLEAN MATTE WHITE (Available Q1 2020)

### PRODUCT SPECIFICATION

This vessel lavatory shall be made with LINEARCERAM. Lavatory shall be ADA compliant. Lavatory shall be TOTO Model LT477 \_\_\_\_\_.

### CODES/STANDARDS

- Meets ADA guidelines and ANSI A117.1 requirements when top of lavatory rim is installed 864mm (34") from finished floor and lavatory is installed 52mm (2-1/16") minimum from front edge
- Meets and exceeds ASME A112.19.2/CSA B45.1
- Certifications: IAPMO(cUPC), State of Massachusetts, City of Los Angeles, and others
- Code compliance: UPC, IPC, NSPC, NPC Canada, and others



### REQUIRED COMPONENTS FOR TOTO FAUCET

Drain (Kick Lever) and

Decorative Cover Plate (Sold Separately)

- THP737#01 / THP737#CMW for  
ZL: TLP02307U#XX  
GO: TLG01307U#XX  
GR: TLG02307U#XX  
GS: TLG03305U#XX

Decorative Cover Plate (Sold Separately)

- THP739#01 / THP739#CMW for  
ZA: TLP03301U#XX  
GE: TLG07305U#XX  
GC: TLG08305U#XX  
GM: TLG09305U#XX  
GB: TLG10305U#XX  
GF: TLG11305U#XX

# LT477(G)(MT)

## Kiwami® Asymmetrical Vessel Lavatory

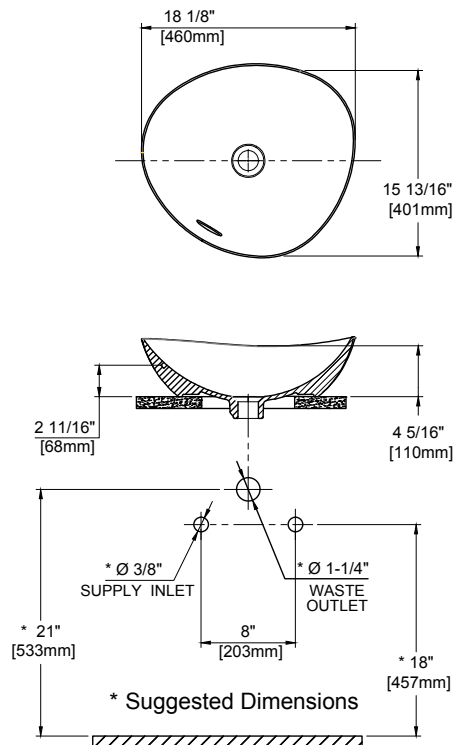
### SPECIFICATIONS

|                            |                               |
|----------------------------|-------------------------------|
| <b>Waste</b>               | 1-1/4"                        |
| <b>Size</b>                | 18-1/8"W x 16-1/2"D x 5-1/8"H |
| <b>Basin</b>               | 19-3/8"W x 14-5/8"D           |
| <b>Basin Depth</b>         | 5-1/8"                        |
| <b>Warranty</b>            | One Year Limited Warranty     |
| <b>Material</b>            | LINEARCERAM®                  |
| <b>Shipping Weight</b>     | 17.5 lbs                      |
| <b>Shipping Dimensions</b> | 17-3/4" x 17-3/4" x 7-3/4"    |

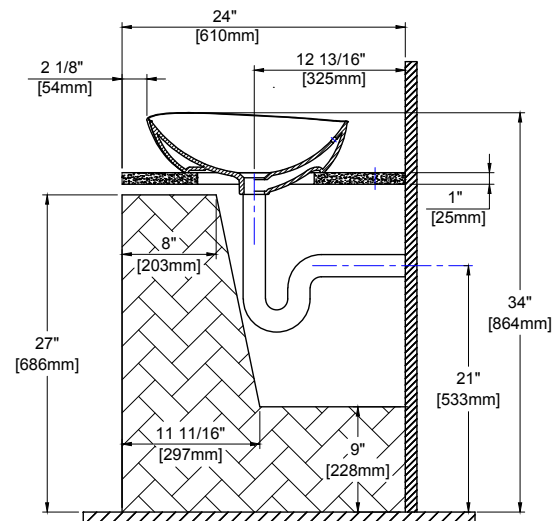
### INSTALLATION NOTES

Recommended drains , THP737 or THP739. No drain is included. The recommended faucet height from deck to spout is 8-5/16" (211m) and below. Aim water supply away from the drain cover.

### DIMENSIONS



### ADA Compliance Check



**TOTO®**

These dimensions and specifications are subject to change without notice