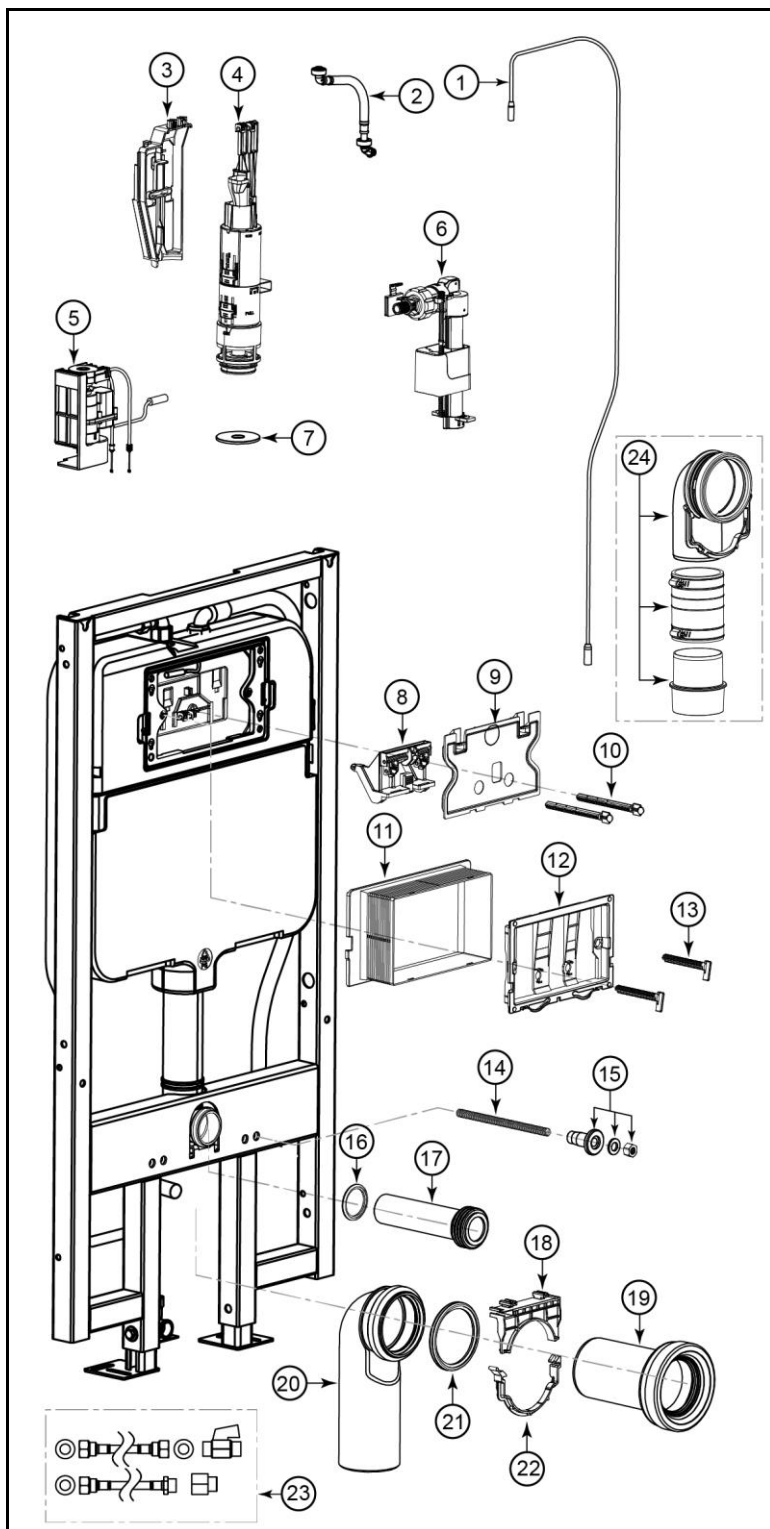


**In Wall Tank System w/ Autoflush
For 2x6 & 2x4 Wall Stud Installation
1.2 Gpf/4.5 Lpf & 0.8 Gpf/3.0 Lpf
Adjustable Height 15" 19"**



Item	Part	Description
1	THU798-A	Power Cable for Auto Flush
2	THU479-A	Flexible Hose
3	THU549	Hold-Down Bracket for Flush Valve
4	THU863-A	Flush Valve
5	THU478-A	Auto Flush Unit
6	TSU46A	Fill Valve
7	THU482	Seal Gasket (1piece)
8	THU480-A	Actuator
9	THU864-A	Splash Guard (WT175MA)
10	THU608	Push Rod (2 pieces)
11	THU509-A	Push Plate Rough in
12	THU656-A	Panel Receiver for Push Plate
13	THU607	Locking Tab (2 pieces)
14	THU658-A	Threaded Rod (2 pieces)
15	THU649-A	Toilet Mounting set (2 sets)
16	THU606	Gasket for Elbow Inlet Pipe (5 pieces)
17	THU489-A	Toilet Inlet Pipe
18	THU548	Upper Bracket
19	THU484-A	Toilet Flange Pipe
20	THU490-A	Elbow Outlet Pipe
21	THU561	Gasket for Elbow Outlet Pipe (5 pieces)
22	THU560	Lower Bracket
23	THU860-A	Top Unit Connection Kit for WT175MA
24	THU343*	2x4 Outlet Drain Kit

Note:
* Items sold separately

Product Number Explanations

(WT) In Wall Tank
 (175) Model Number
 (M) Dual Flush
 (A) Autoflush

Actual Product may vary slightly from illustration.