

## Nexus® 1G® WASHLET®+ S7 One-Piece Toilet - 1.0 GPF

### FEATURES

- Concealed supply connection for seamless installation
- Ultra high-efficiency TORNADO FLUSH® system - 1.0 GPF (3.8 LPF)
- CEFIONTECT® ceramic glaze minimizes waste from sticking to porous ceramic surfaces
- Completely skirted design for a sleek and understated look that's easier to clean
- Universal Height
- Chrome plated trip lever
- 12" Rough-in
- Elongated front bowl and WASHLET+ S7 and tank set
- EWATER+® auto-cleans wand and bowl after every use
- PREMIST® automatically mists the bowl before each use
- Multifunction pearl white block-style remote control
- Night light
- Auto flush available as upgrade



### MODELS

- **MW6424726CUFGA (#01)**  
With CEFIONTECT ceramic glaze, WASHLET+ S7 with contemporary design and Auto Flush
  - **CST642CUFGAT40**  
Elongated bowl with CEFIONTECT
  - **SW4726AT40**  
WASHLET+ S7
  - **THU856**  
Auto Flush Kit
- **MW6424726CUFG (#01)**  
Same as MW6424726CUFGA without Auto Flush

### OPTIONAL COMPONENTS

- **TSU10W.14**  
14" Unifit Rough-In
- **THU485(#01, #BN, #PN)**  
Trip Lever (Cotton, Brushed Nickel, Polished Nickel)

### COLORS/FINISHES

- #01 Cotton

- 1G One Gallon Per Flush
- TORNADO FLUSH
- CEFIONTECT
- UNIVERSAL HEIGHT
- EWATER+
- Auto Flush

### PRODUCT SPECIFICATION

The one-piece ultra high-efficiency TORNADO FLUSH system toilet shall be 1.0 GPF (3.8 LPF). Toilet shall be 12" Unifit rough-in. Toilet shall have optional CEFIONTECT ceramic glaze and be at Universal Height. Toilet shall have elongated front bowl with SoftClose seat and Polished Chrome trip lever.

Toilet shall be TOTO Model MW6424726CUFG\_\_#01.

See **SW4726AT40 Specification Sheet** for details on included WASHLET.

### CODES/STANDARDS

- Meets and exceeds ASME A112.19.2/CSA B45.1
- Certifications: IAPMO (cUPC®), EPA WaterSense®, State of Massachusetts, City of Los Angeles, and others
- Code compliance: UPC, IPC, NSPC, NPC Canada, and others
- Legislative Compliance: California AB715, California Green Building Code, City of Los Angeles Water Efficiency Ordinance, and others
- ADA compliant for residential use with autoflush feature model, or with trip lever located on the approach side
- Complies with CA Prop 65 warning requirements



# MW6424726CUFG(A)

## Nexus® 1G® WASHLET®+ S7 One-Piece Toilet - 1.0 GPF

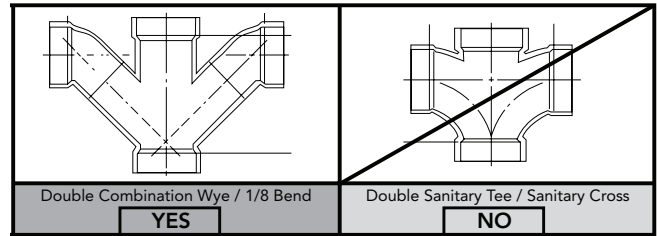
### SPECIFICATIONS

<b>Water Use</b>	1.0 GPF (3.8 LPF)
<b>Flush System</b>	TORNADO FLUSH®
<b>Min. Water Pressure</b>	8 psi (Flowing)
<b>Water Surface</b>	6-5/8" x 9-1/8"
<b>Trap Diameter</b>	2-1/8"
<b>Rough-in</b>	12" (14" option available)
<b>Trap Seal</b>	2-1/8"
<b>Warranty</b>	One Year Limited Warranty
<b>Material</b>	Vitreous China
<b>Shipping Weight</b>	CST642CUFGAT40: 110 lbs SW4726AT40: 14.5 lbs
<b>Shipping Dimensions</b>	CST642CUFGAT40 29-1/2" L x 18-1/2" W x 27-1/2" H <sup>2</sup> x 21-3/4" H <sup>1</sup> SW4726AT40 23-3/8" L x 17-5/8" W x 6-1/4" H

See SW4726AT40 Specification Sheet for details on included WASHLET.

### INSTALLATION NOTES

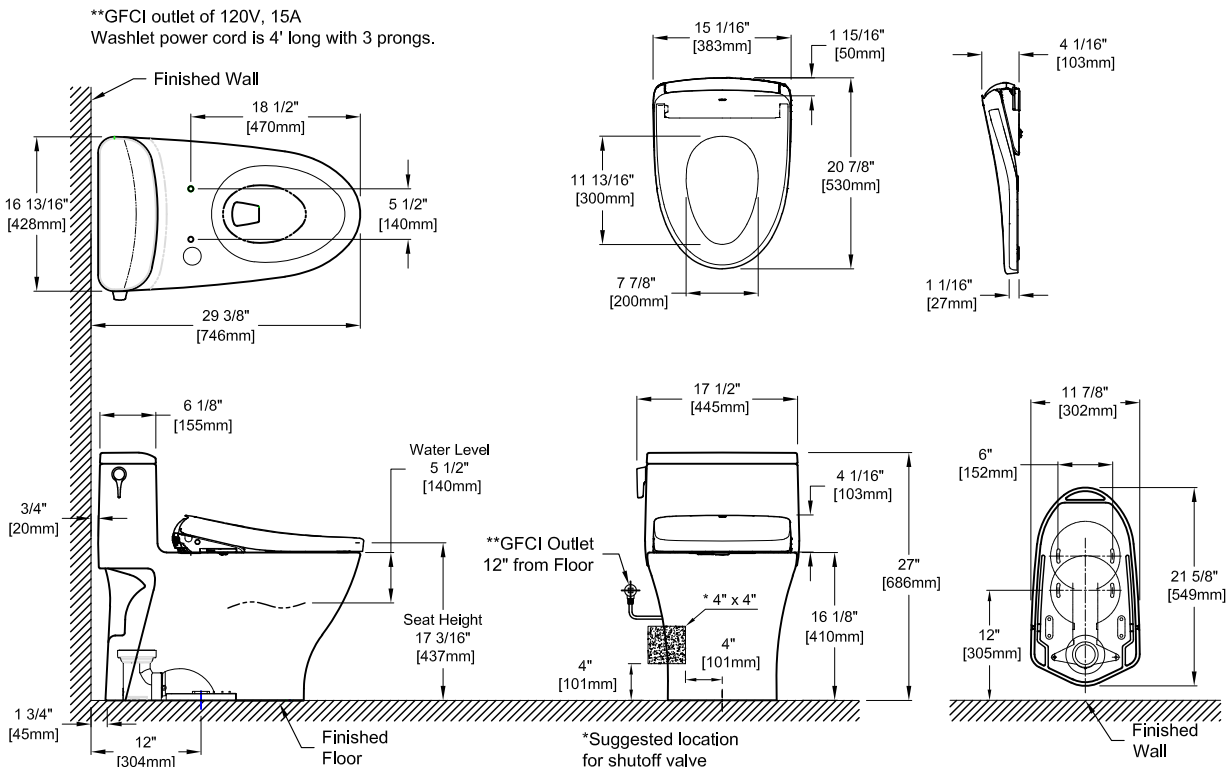
Back-to-Back Toilet Installations:  
TOTO recommends the use of a nationally listed, double sanitary tee-wye only, in vertical waste stacks, in accordance with the stipulations noted in the majority of nationally recognized plumbing codes.



To maintain adequate wall gap between the back of the tank and wall, mount the floor flange at a nominal 12" rough-in distance.

Ultra-low high efficiency toilets require a system with adequate supplemental flows from other water usage fixtures and a 4" ID drainline with minimum 2% slope and maximum linear runs of 60ft.

### DIMENSIONS



**TOTO®**

These dimensions and specifications are subject to change without notice