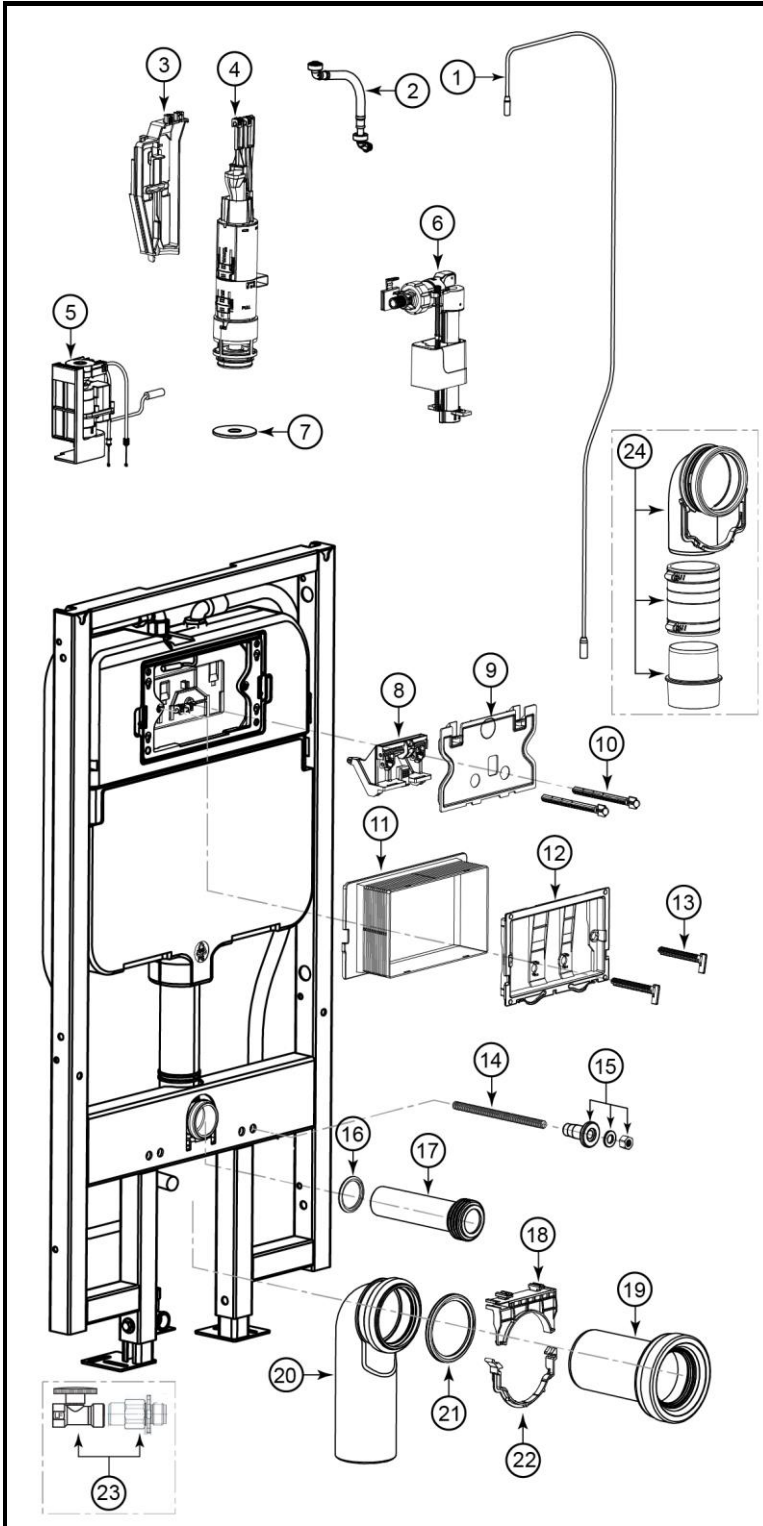


DuoFit In Wall Tank System
For 2x6 & 2x4 Wall Stud Installation
1.28 Gpf/4.8 Lpf & 0.9 Gpf/3.4Lpf
Adjustable Height 15" - 19" (includes Auto Flush)



Actual Product may vary slightly from illustration.

Item	Part	Description
1	THU798-A	Power Cable for Auto Flush
2	THU479-A	Flexible Hose
3	THU549	Hold-Down Bracket for Flush Valve
4	THU753-A	Flush Valve
5	THU478-A	Auto Flush Unit
6	TSU46A	Fill Valve
7	THU482	Seal Gasket (1piece)
8	THU480-A	Actuator
9	THU481-A	Splash Guard (WT173MA)
	THU760-A	Splash Guard (WT172 & WT173M)
10	THU608	Push Rod (2 pieces)
11	THU509-A	Push Plate Rough in
12	THU656-A	Panel Receiver for Push Plate
13	THU607	Locking Tab (2 pieces)
14	THU658-A	Threaded Rod (2 pieces)
15	THU649-A	Toilet Mounting set (2 sets)
16	THU606	Gasket for Elbow Inlet Pipe (5 pieces)
17	THU489-A	Toilet Inlet Pipe
18	THU548	Upper Bracket
19	THU484-A	Toilet Flange Pipe
20	THU490-A	Elbow Outlet Pipe
21	THU561	Gasket for Elbow Outlet Pipe (5 pieces)
22	THU560	Lower Bracket
23	THU794*	Washlet Connection Kit for WT173MA
	THU805*	Washlet Connection Kit for WT173M
24	THU343*	2x4 Outlet Drain Kit

Note:

* Item sold separately.

Product Number Explanations

(WT) InWall Tank
 (173) Model number
 (M) Dual Flush
 (A) Auto Flush